

## SBI Clerk Pre 2023 Memory Based Mock-03

**Directions (1-8): Read the following passage and answer the given questions.**

In a verdant village, surrounded by bamboo groves, lived an enterprising young man named Alok. His community had long crafted bamboo products, valued for their quality but limited in variety, primarily traditional items like baskets and mats. Alok, however, saw potential for more through a creative twist.

Realizing the need for innovation to keep the craft alive, Alok embarked on a journey of learning about **moulding** bamboo in new ways. He explored contemporary design and new bamboo crafting techniques, absorbing ideas that could revolutionize his village's traditional work. He learned about sustainable methods to treat and mold bamboo, allowing greater flexibility in design.

Returning home, Alok started experimenting. He combined the village's age-old craftsmanship with his newly acquired knowledge, creating bamboo products that were not only functional but also artistically modern. His creations ranged from elegant lampshades to stylish, foldable furniture, houses and artifacts, all from bamboo, yet unlike anything his village had seen before.

The launch of Alok's new line was a \_\_\_\_\_. His products, blending nature with urban aesthetics, captivated many. Orders flowed in, not just from locals but from far beyond the village borders.

This success brought prosperity and transformation. Alok employed and trained more artisans, infusing new life into the traditional bamboo craft with a modern **twist**. The village, once known for its monotony in bamboo products, now buzzed with innovation and creativity.

Alok's story became a beacon of inspiration, showcasing the power of embracing change while honoring tradition. His journey illustrated how innovation, blended with heritage, could lead to remarkable success, both for the individual and the community.

**Q1. What was the limitation of the bamboo products before Alok's intervention?**

- (a) The products were too expensive, making them inaccessible.
- (b) There was a lack of variety in the bamboo products.
- (c) The quality of bamboo used in the products was poor, leading to issues with durability.
- (d) The production methods used were inefficient, resulting in slow production rates.
- (e) There was a limited availability of bamboo, causing a constraint in the production capacity.

**Q2. Identify the CORRECT statement about Alok's bamboo products after his innovation.**

- (a) Alok's new products were primarily traditional in design, maintaining the old aesthetic.
- (b) The products were made using entirely different materials other than bamboo.
- (c) Alok's products incorporated a blend of modern design aesthetics with traditional craftsmanship.
- (d) The innovation led to a decrease in the quality of bamboo used.
- (e) Alok's products were limited to the local market and did not gain popularity elsewhere.

**Q3. What was the unique aspect of Alok's new bamboo products compared to traditional village crafts?**

- (a) They were less expensive and more accessible to the average consumer
- (b) They were exclusively for high-end markets and luxury clients
- (c) They incorporated a creative twist with a blend of traditional craftsmanship and modern design aesthetics
- (d) They used entirely different materials other than bamboo
- (e) They focused on mass production rather than individual craftsmanship

**Q4. What was the outcome of Alok's new product line launch?**

- (a) It captivated a wide audience and brought in orders from beyond the village.
- (b) It achieved moderate success but failed to attract attention outside the village
- (c) It was met with resistance and criticism from the local community
- (d) It led to Alok leaving the village to start a business in a city
- (e) It was a commercial failure but respected for its artistic value

**Q5. Which of the following statement is FALSE regarding the impact of Alok's innovation on his village.**

- (a) Alok's innovation transformed the village into a centre of innovative bamboo crafting.
- (b) The village attracted tourists and design enthusiasts due to the innovative approach to bamboo crafting.
- (c) Alok's success led to the employment and training of more artisans in the village.
- (d) The village continued to be known only for its traditional bamboo products and nothing else.
- (e) The transformation brought about by Alok's innovation was not limited to his business but impacted the entire village.

**Q6. Choose the most appropriate word to fill in the given blank.**

- (a) Failure
- (b) Challenge
- (c) Routine
- (d) Mystery
- (e) Triumph

**Q7. Choose the word that is most similar in meaning to 'Moulding'.**

- (a) Shaping
- (b) Breaking
- (c) Ignoring
- (d) Reducing
- (e) Copying

**Q8. Choose the word that is most similar in meaning to 'Twist'**

- (a) Rotate
- (b) Straighten
- (c) Bend
- (d) Preserve
- (e) Simplify

**Directions (9-11):** In each of the questions given below a sentence is divided into five parts. These parts may or may not be in their correct position. Following each question four sequences are provided. Select the sequence of the parts which will arrange the given sentence in a contextual meaningful way. If the parts are correct at their current position, then choose 'no rearrangement required' as your answer.

- Q9.** (A) implied a possible absorption of the  
(B) gas by an ocean or isolation by  
(C) levels relative to the neighbouring planets  
(D) researchers said the drop in the carbon dioxide  
(E) biomass on a planetary scale  
(a) DCABE  
(b) CAEBD  
(c) ACEDB  
(d) BEDCA  
(e) No rearrangement required

- Q10.** (A) particularly in the realm of Carnatic music  
(B) hearts of music enthusiasts throughout the country,  
(C) saraswati, the Hindu Goddess of learning, is always  
(D) portrayed with a veena on her lap, symbolising  
(E) the instrument's unique significance in the  
(a) EADCB  
(b) DECAB  
(c) CDEBA  
(d) BEDCA  
(e) No rearrangement required

- Q11.** (A) embracing cultural diversity in education fosters  
(B) a rich learning environment, encouraging tolerance,  
(C) understanding, and a global perspective  
(D) among students, preparing  
(E) for an interconnected world  
(a) ACEBD  
(b) BAEDC  
(c) CDEAB  
(d) EDBCA  
(e) No rearrangement required

**Directions (12-15):** In each of the questions given below, a few phrases are given in two columns. Choose the best possible combination of phrases as your answer from the given options, in order to form a meaningful sentence. If there is/ are no possible combination of phrases from the options given below, then mark “None of these” as your answer choice.

**Q12. COLUMN (I)**

- (A) Urgent action is needed to curb greenhouse gas emissions and
- (B) AI transforms industries, employing advanced algorithms for tasks
- (C) Sustainable development requires a holistic approach, balancing

**COLUMN (II)**

- (D) fostering supportive environments and encouraging help-seeking.
- (E) address the impacts of climate change on ecosystems and societies.
- (F) on quality learning opportunities and fostering adaptability.

- (a) B-F
- (b) A-E
- (c) C-D
- (d) A-D
- (e) None of these

**Q13. COLUMN (I)**

- (A) In an increasingly interconnected world, robust
- (B) Biotechnology breakthroughs in genetic engineering, personalized medicine,
- (C) Promoting diversity and inclusion in workplace is crucial for fostering

**COLUMN (II)**

- (D) and sustainable agriculture offer transformative solutions to global challenges
- (E) protect information, secure critical infrastructure, and mitigate cyber threats
- (F) climate change and achieving a sustainable, greener future.

- (a) B-F
- (b) A-D
- (c) B-D
- (d) C-F
- (e) None of these

**Q14. COLUMN (I)**

- (A) Fashion industry's increasing focus reluctant
- (B) Advancements in quantum computing hold promise for solving complex
- (C) The evolution of e-commerce continues to reshape retail and

---

**COLUMN (II)**

(D) infectious diseases underscore the importance of international collaboration

(E) speeds and connectivity, paving the way for innovations in communication

(F) innovative approaches to meet evolving consumer preferences.

(a) A-D

(b) C-E

(c) A-E

(d) C-F

(e) None of these

**Q15. COLUMN (I)**

(A) The dynamics of the team changed significantly when

(B) Advances in genomic medicine contribute

(C) The pervasive influence of social media continues to

**COLUMN (II)**

(D) the new manager introduced innovative collaboration strategies.

(E) plans based on an individual's genetic makeup for improved outcomes.

(F) and encouraging a closed-loop system to enhance resource efficiency.

(a) B-D

(b) A-D

(c) B-E

(d) C-E

(e) None of these

**Directions (16-20): In the following passage there are blanks, each of which has been numbered. These numbers are printed below the passage and against each five words are suggested, one of which fits the blank appropriately. Find out the appropriate words.**

**Q16.** Post-COVID, office outfits have \_\_\_\_\_ **(16)** a notable transformation, blending comfort and professionalism. The traditional business attire has given way to a more relaxed and \_\_\_\_\_ **(17)** style, with many professionals opting for smart casual or athleisure wear. Remote work experiences have \_\_\_\_\_ **(18)** a shift towards comfortable yet polished looks, integrating elements like tailored joggers and knit blazers. The \_\_\_\_\_ **(19)** on video conferencing has led to an increased focus on the upper half of outfits, with stylish tops and accessories taking precedence. As the boundary between work and home blurs, the evolving office attire \_\_\_\_\_ **(20)** a balance between comfort, functionality, and a professional aesthetic.

(a) undergone

(b) brighten

(c) deepen

(d) wane

(e) strive

**Q17.** Post-COVID, office outfits have \_\_\_\_\_ (16) a notable transformation, blending comfort and professionalism. The traditional business attire has given way to a more relaxed and \_\_\_\_\_ (17) style, with many professionals opting for smart casual or athleisure wear. Remote work experiences have \_\_\_\_\_ (18) a shift towards comfortable yet polished looks, integrating elements like tailored joggers and knit blazers. The \_\_\_\_\_ (19) on video conferencing has led to an increased focus on the upper half of outfits, with stylish tops and accessories taking precedence. As the boundary between work and home blurs, the evolving office attire \_\_\_\_\_ (20) a balance between comfort, functionality, and a professional aesthetic.

- (a) fragile
- (b) gentle
- (c) versatile
- (d) noble
- (e) fertile

**Q18.** Post-COVID, office outfits have \_\_\_\_\_ (16) a notable transformation, blending comfort and professionalism. The traditional business attire has given way to a more relaxed and \_\_\_\_\_ (17) style, with many professionals opting for smart casual or athleisure wear. Remote work experiences have \_\_\_\_\_ (18) a shift towards comfortable yet polished looks, integrating elements like tailored joggers and knit blazers. The \_\_\_\_\_ (19) on video conferencing has led to an increased focus on the upper half of outfits, with stylish tops and accessories taking precedence. As the boundary between work and home blurs, the evolving office attire \_\_\_\_\_ (20) a balance between comfort, functionality, and a professional aesthetic.

- (a) bored
- (b) terrified
- (c) excited
- (d) amused
- (e) influenced

**Q19.** Post-COVID, office outfits have \_\_\_\_\_ (16) a notable transformation, blending comfort and professionalism. The traditional business attire has given way to a more relaxed and \_\_\_\_\_ (17) style, with many professionals opting for smart casual or athleisure wear. Remote work experiences have \_\_\_\_\_ (18) a shift towards comfortable yet polished looks, integrating elements like tailored joggers and knit blazers. The \_\_\_\_\_ (19) on video conferencing has led to an increased focus on the upper half of outfits, with stylish tops and accessories taking precedence. As the boundary between work and home blurs, the evolving office attire \_\_\_\_\_ (20) a balance between comfort, functionality, and a professional aesthetic.

- (a) resistance
- (b) emphasis
- (c) analysis
- (d) crisis
- (e) synthesis

**Q20.** Post-COVID, office outfits have \_\_\_\_\_ **(16)** a notable transformation, blending comfort and professionalism. The traditional business attire has given way to a more relaxed and \_\_\_\_\_ **(17)** style, with many professionals opting for smart casual or athleisure wear. Remote work experiences have \_\_\_\_\_ **(18)** a shift towards comfortable yet polished looks, integrating elements like tailored joggers and knit blazers. The \_\_\_\_\_ **(19)** on video conferencing has led to an increased focus on the upper half of outfits, with stylish tops and accessories taking precedence. As the boundary between work and home blurs, the evolving office attire \_\_\_\_\_ **(20)** a balance between comfort, functionality, and a professional aesthetic.

- (a) depends
- (b) terminates
- (c) suspends
- (d) reflects
- (e) fluctuates

**Directions (21-25):** Read each sentence to find out whether there is any grammatical error in it. The error, if any, will be in one part of the sentence. The number of that part is the answer. If the sentence is error-free then, choose "No error" as the answer. (Ignore the errors of punctuation, if any.)

**Q21.** (A) Many people believes / (B) that technological advancements / (C) can solve / (D) most of our problems.

- (a) A
- (b) B
- (c) C
- (d) D
- (e) No error

**Q22.** (A) She is one of those writers / (B) who has / (C) won numerous awards / (D) for her work.

- (a) A
- (b) B
- (c) C
- (d) D
- (e) No error

**Q23.** (A) Either the manager or his/ (B) assistants needs to be present/ (C) to sign off/ (D) the documents.

- (a) A
- (b) B
- (c) C
- (d) D
- (e) No error

**Q24. (A) The audience was enthusiastic/ (B) and claps loudly/ (C) after the performance/ (D) ended.**

- (a) A
- (b) B
- (c) C
- (d) D
- (e) No error

**Q25. (A) Me and my brother / (B) are planning to start/ (C) a new business venture / (D) together next year.**

- (a) A
- (b) B
- (c) C
- (d) D
- (e) No error

**Directions (26-30): In each of the following sentences, four words have been highlighted which may or may not be misspelt or inappropriate in their usage. Mark the erroneous word as the answer and if all the words are correct in their spellings and usage, choose 'All are correct' as your answer.**

**Q26.** After a long week of work, Julia decided to **wonder** through the tranquil streets of the old town, **enjoying** the peace and the **timeless** beauty of its historic **architecture**.

- (a) wonder
- (b) enjoying
- (c) timeless
- (d) architecture
- (e) All are correct

**Q27.** The magician's performance was **extraordinary**, leaving the **audiance** in awe of his **sleight** of hand and **illusionary** tricks.

- (a) extraordinary
- (b) audiance
- (c) sleight
- (d) illusionary
- (e) All are correct

**Q28.** The **company's** latest **techonology** breakthrough promises to **revolutionize** the industry, providing solutions that were previously **unimaginable**.

- (a) company's
- (b) techonology
- (c) revolutionize
- (d) unimaginable
- (e) All are correct



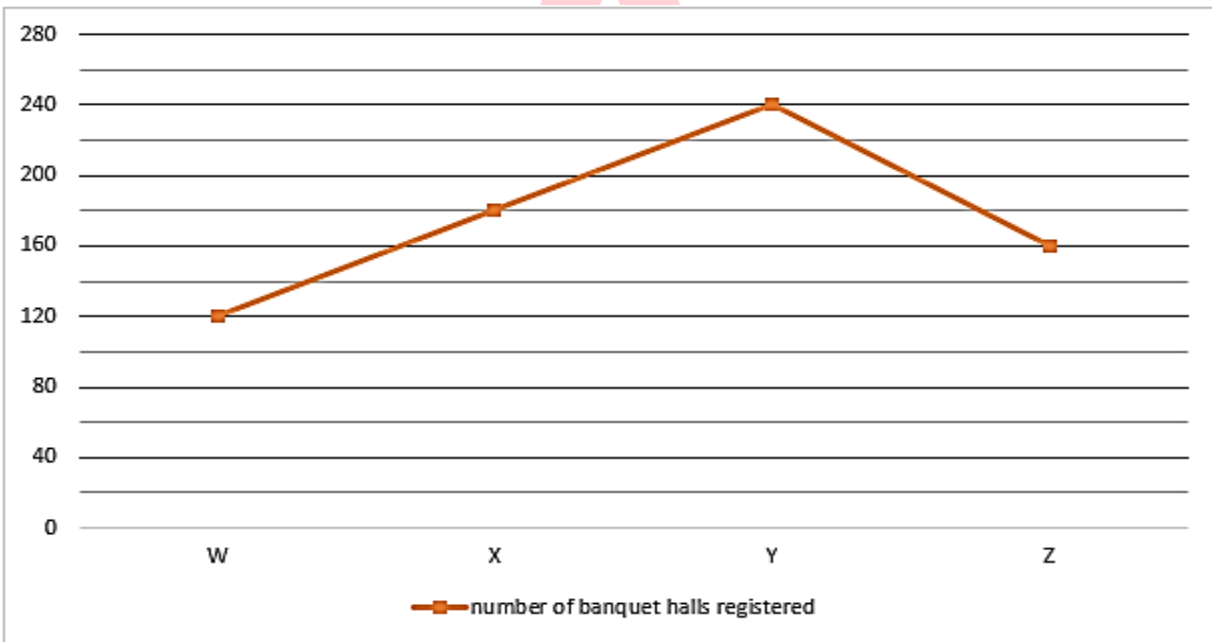
**Q29.** She **decided** to **altar** her dress to make it fit **better** for the upcoming **wedding**.

- (a) decided
- (b) altar
- (c) better
- (d) wedding
- (e) All are correct

**Q30.** During the **meeting**, the manager gave John a **complement** on his **excellent** presentation **skills**.

- (a) meeting
- (b) complement
- (c) excellent
- (d) skills
- (e) All are correct

**Directions (31-35):** The line graph given below show total number of banquet halls registered by four (W, X, Y and Z) different event organizer companies. Read the line graph carefully and answer the questions below.



**Q31.** If total number of banquet halls registered by company A is 25% more than that of by Y, then find the average number of banquet halls registered by A and W.

- (a) 150
- (b) 240
- (c) 270
- (d) 210
- (e) 200

**Q32.** Out of total banquet halls registered by Y,  $\frac{4}{15}$ th are registered for marriage event,  $\frac{15}{22}$ th of remaining hall are registered for birthday party and rest are registered for office party. If total hall registered by X for office party is 16 more than total hall registered by Y for marriage event and the ratio of hall registered by X for birthday party to marriage event is 3 : 7, then find the difference between total hall registered by X for marriage event and Y for office party.

- (a) 26
- (b) 14
- (c) 24
- (d) 10
- (e) 6

**Q33.** Total banquet halls registered by Z is approximately what percent less than total banquet halls registered W and X together.

- (a) 57%
- (b) 53%
- (c) 37%
- (d) 41%
- (e) 47%

**Q34.** If total number of banquet halls registered by P is  $\frac{11}{8}$ th of total banquet halls registered by Z, then find the ratio of total number of banquet halls registered by W to that of by P.

- (a) 9 : 11
- (b) 12 : 11
- (c) 6 : 11
- (d) 8 : 11
- (e) 7 : 11

**Q35.** Find the difference between total number of banquet halls registered by X & Y together and total number of banquet halls registered by Z.

- (a) 280
- (b) 180
- (c) 240
- (d) 300
- (e) 260

**Directions (36-40):** What will come in the place of question (?) mark in the following number series.

**Q36.** 11, 48, 89, 132, ?, 232

- (a) 177
- (b) 181
- (c) 169
- (d) 189
- (e) 179

**Q37.** ?, 25, 59, 110, 178, 263

- (a) 8
- (b) 10
- (c) 6
- (d) 5
- (e) 4

**Q38.** 24, 49, 99, ?, 399, 799

- (a) 198
- (b) 200
- (c) 199
- (d) 197
- (e) 201

**Q39.** 220, 236, 264, 304, 356, ?

- (a) 440
- (b) 480
- (c) 540
- (d) 420
- (e) 400

**Q40.** 241, ?, 248, 258, 275, 301

- (a) 245
- (b) 243
- (c) 242
- (d) 247
- (e) 246

**Q41.** The ratio of length to breadth of a rectangle is 5: 7 and the ratio of radius of a semi-circle to breadth of the rectangle is 1: 2. If the perimeter of the rectangle is 12 cm more than the circumference of the semi-circle, then find the area of the rectangle.

- (a)  $140 \text{ cm}^2$
- (b)  $70 \text{ cm}^2$
- (c)  $48 \text{ cm}^2$
- (d)  $105 \text{ cm}^2$
- (e)  $210 \text{ cm}^2$

**Q42.** P started a business by investing Rs 25000 and after five months, Q joined the business by investing Rs X. At the end of the year, the profit share of P is Rs 15000 out of the total profit of Rs 25500. Find the value of X.

- (a) 25000
- (b) 20000
- (c) 30000
- (d) 15000
- (e) 40000

**Q43. A is 20% more efficient than B and C is 50% more efficient than A. If the difference between the time taken by A alone and C alone to complete a work is 20 days, then find the time taken by A, B and C together to complete the work.**

- (a) 12 days
- (b) 30 days
- (c) 20 days
- (d) 18 days
- (e) 15 days

**Q44. The profit received, when a man sells an article by giving discount 25% is Rs. 70. If the profit received, when the man sells the article by giving 30% discount is Rs. 50, then find the marked price of the article.**

- (a) Rs. 350
- (b) Rs. 400
- (c) Rs. 300
- (d) Rs. 250
- (e) Rs. 200

**Q45. A mixture contains milk and water in the ratio of 3: 4 respectively. If 21 liters of mixture is removed and 6 liters of water is added in the remaining mixture, then the ratio of milk to water becomes 1: 2. Find the initial quantity of the mixture.**

- (a) 42 liters
- (b) 35 liters
- (c) 49 liters
- (d) 56 liters
- (e) 28 liters

**Q46. A man invested certain amount in scheme A which offers simple interest at the rate of 10% p.a. and he also invested same amount in scheme B which offers compound interest at the rate of 20% p.a. If the difference between the interest received from both the schemes after two years is Rs 960, then find the amount invested.**

- (a) Rs. 2000
- (b) Rs. 4000
- (c) Rs. 2400
- (d) Rs. 4800
- (e) Rs. 3200

**Q47. A train cross a pole and a platform in 10 seconds and 30 seconds. If the length of the platform is 900 meters, then find the length of the train.**

- (a) 500 meters
- (b) 550 meters
- (c) 350 meters
- (d) 400 meters
- (e) 450 meters

**Q48.** Five years ago, the ratio of the age of A to B was 2: 3 and twelve years hence, the ratio of the age of A to B will be 27: 32. Find the sum of the age of A and B after two years.

- (a) 29 years
- (b) 35 years
- (c) 39 years
- (d) 27 years
- (e) 30 years

**Q49.** The ratio of the downstream to upstream speed of a boat is 10: 3. If the boat covers 240 km downstream in 12 hours, then find the distance covered by the boat in five hours travelling in still water.

- (a) 75 km
- (b) 35 km
- (c) 30 km
- (d) 65 km
- (e) 50 km

**Q50.** The average of 20 number is 50. When another number X is added, then the average is increased by 2. Find the value of 2X.

- (a) 76
- (b) 86
- (c) 42
- (d) 92
- (e) 184

**Directions (51-65):** Find the exact value of question marks (?) in following questions.

**Q51.**  $14^3 + 80\% \text{ of } 320 + ?\% \text{ of } 500 = 155 \times 20$

- (a) 45
- (b) 20
- (c) 40
- (d) 30
- (e) 50

**Q52.**  $216 \frac{4}{5} + 56 \frac{11}{15} - ? = 240$

- (a)  $33 \frac{7}{15}$
- (b)  $35 \frac{8}{15}$
- (c)  $31 \frac{8}{15}$
- (d)  $33 \frac{8}{15}$
- (e)  $29 \frac{8}{15}$

**Q53.**  $15\% \text{ of } 540 - \frac{1}{8} \text{ of } 2^6 = ? - 210 \div 27 \times 81$

- (a) 703
- (b) 710
- (c) 700
- (d) 705
- (e) 706

**Q54.**  $10\% \text{ of } 650 + 32 \times 2800 \div 400 - ? = 155$

- (a) 134
- (b) 117
- (c) 142
- (d) 151
- (e) 111

**Q55.**  $\frac{34 \times 4 - 12 \times 8 + 61}{6^2 + \sqrt{2025} + (11)^2} = ?$

- (a) 1
- (b) 0.5
- (c) 0.45
- (d) 0.25
- (e) 1.5

**Q56.**  $? \times 1.4 \times 8.4 = 6.3 \times 5.6 - (4.2)^2$

- (a) 7.5
- (b) 4.5
- (c) 1.5
- (d) 0.15
- (e) 0.5

**Q57.**  $\frac{19.65 \times 14}{3} + 108.87 - 24.57 - ? = (13)^2$

- (a) 3
- (b) 7
- (c) 5
- (d) 9
- (e) 11

**Q58.**  $27.8 \times 6 + 38.9 \times 7 - ? = (13)^2 + \sqrt{400}$

- (a) 240.1
- (b) 250.1
- (c) 230.1
- (d) 235.1
- (e) 260.1

**Q59.**  $2^7 = 4^2 \times 16 \div 8^2 \times 32$

- (a) 7
- (b) 12
- (c) 10
- (d) 6
- (e) 9

**Q60.**  $160\% \text{ of } 45 + ?\% \text{ of } 50 = 12.5\% \text{ of } 720$

- (a) 36
- (b) 54
- (c) 48
- (d) 30
- (e) 42

**Q61.**  $6\frac{2}{5} - 4\frac{3}{4} + 3\frac{1}{2} = ? \div 5$

- (a)  $21\frac{2}{5}$
- (b)  $23\frac{3}{4}$
- (c)  $25\frac{1}{4}$
- (d)  $27\frac{3}{5}$
- (e)  $25\frac{3}{4}$

**Q62.**  $\sqrt{1024} + \sqrt{256} + 22^2 = ?$

- (a) 456
- (b) 486
- (c) 426
- (d) 496
- (e) 482

**Q63.**  $(132 + 72) \div 12 \times 17 = ? + 9^2$

- (a) 208
- (b) 287
- (c) 370
- (d) 179
- (e) 168

**Q64.**  $(200 \times 8) \div 25 = ?^2$

- (a) 6
- (b) 8
- (c) - 8
- (d) 12
- (e) Both (b) and (c)

**Q65.**  $(12 \times 10) \div 8 = ? \times 3$

- (a) 3
- (b) 2
- (c) 7
- (d) 5
- (e) 9

**Directions (66-68):** In these questions, relationship between different elements is shown in the statements. The statements are followed by conclusions. Study the conclusions based on the given statements and select the appropriate answer:

**Q66.**

**Statements:**  $P > X \leq Y = Z \geq M < N \geq O$

**Conclusions:** I.  $O > X$  II.  $Y \leq P$

- (a) If only conclusion I is true.
- (b) If only conclusion II is true.
- (c) If either conclusion I or II is true.
- (d) If neither conclusion I nor II is true.
- (e) If both conclusions I and II are true.

**Q67.**

**Statements:**  $D \leq B \geq A = E > G; B \leq H < I = J$

**Conclusions:** I.  $H > D$  II.  $E < J$

- (a) If only conclusion I is true.
- (b) If only conclusion II is true.
- (c) If either conclusion I or II is true.
- (d) If neither conclusion I nor II is true.
- (e) If both conclusions I and II are true.

**Q68.**

**Statements:**  $K < L \geq M > N = P; Q \geq N \leq R = S < T$

**Conclusions:** I.  $P < T$  II.  $S > L$

- (a) If only conclusion I is true.
- (b) If only conclusion II is true.
- (c) If either conclusion I or II is true.
- (d) If neither conclusion I nor II is true.
- (e) If both conclusions I and II are true.



**Directions (69-71): Study the following information carefully to answer the given questions:**

Certain numbers of persons sit in a row face north. A is the only immediate neighbour of G. One person sits between A and D. C sits 2<sup>nd</sup> to the left of E. E sits just left of D. There are as many persons sit to the left of F as right of A. B sits two places away from F and just left of C. I sits between C and E.

**Q69. How many persons sit in the row?**

- (a) Eighteen
- (b) Twelve
- (c) Eleven
- (d) Eight
- (e) None of the above

**Q70. Four of the following five are alike in a certain way and hence form a group. Which of the following does not belong to that group?**

- (a) A-G
- (b) E-D
- (c) C-B
- (d) F-E
- (e) I-C

**Q71. Which of the following statement is true?**

**I.** Two persons sit between B and E

**II.** Two persons sit to the left of B

**III.** The numbers of persons sit between E and A is same as between I and F

- (a) Both I and II
- (b) Only II
- (c) Both II and III
- (d) Only I
- (e) Only III

**Directions (72-76): The following questions are based on the five words of three letters given below.**

**JOT PAN SBE SUB TIN**

**Q72. In Which of the following words the gap of alphabets between 1<sup>st</sup> and 2<sup>nd</sup> letter is same as between the 2<sup>nd</sup> letter and 3<sup>rd</sup> letter?**

- (a) SBE
- (b) PAN
- (c) SUB
- (d) JOT
- (e) TIN

**Q73. If we add "S" in start of all the given words then how many meaningful words are formed?**

- (a) One
- (b) Two
- (c) Three
- (d) More than three
- (e) None

**Q74. If we arranged all the words in the alphabetical order from right to left then which of the following word is 2<sup>nd</sup> from the left end?**

- (a) PAN
- (b) SUB
- (c) SBE
- (d) JOT
- (e) TIN

**Q75. If the 1<sup>st</sup> and 3<sup>rd</sup> letter are interchanged in each word and arranged the words in alphabetical order then which of the following word is 4<sup>th</sup> from the left end?**

- (a) SBE
- (b) PAN
- (c) SUB
- (d) JOT
- (e) TIN

**Q76. How many alphabets in between 1<sup>st</sup> letter of 2<sup>nd</sup> word and 2<sup>nd</sup> letter of 4<sup>th</sup> word?**

- (a) One
- (b) Two
- (c) Three
- (d) More than three
- (e) None

**Q77. In the word "FASCINATE", how many pairs of the letters have the same number of letters between them (both forward and backward direction) in the word as in the alphabet?**

- (a) Four
- (b) Two
- (c) One
- (d) Three
- (e) More than four

**Directions (78-82): Study the following information carefully to answer the given questions:**

Eight persons A, B, C, D, E, F, G and H graduated (but not necessarily in the same order) either on 5<sup>th</sup> or 20<sup>th</sup> in four different months viz, January, April, May and September.

B graduated on odd date and in the month which has 30 days. Three persons graduated between B and F. Two persons graduated between E and F. G graduated three persons before E. H graduated just before A. D was not graduated at last.

**Q78. Who graduated on the 5<sup>th</sup> of May?**

- (a) H
- (b) C
- (c) E
- (d) F
- (e) G

**Q79. In which month did A graduate?**

- (a) January
- (b) April
- (c) May
- (d) September
- (e) Cannot be determined

**Q80. How many persons graduated between D and H?**

- (a) None
- (b) One
- (c) Two
- (d) Three
- (e) Four

**Q81. Four of the following five are alike in a certain way and hence form a group. Who among the following does not belong to that group?**

- (a) F
- (b) B
- (c) H
- (d) G
- (e) E

**Q82. Who among the following is graduate two persons before C?**

- (a) H
- (b) A
- (c) E
- (d) F
- (e) G

**Q83. In the number '8493213479', if we add 1 in the digit which is less than 5 and subtract 1 from the digit which is more than 6. After that what is the sum of 2<sup>nd</sup> digit from left end and 3<sup>rd</sup> digit from the right end after rearrangement?**

- (a) 12
- (b) 7
- (c) 10
- (d) 8
- (e) 9

**Directions (84-88): Read the given information carefully and answer the questions based on it:**

Eight persons M, N, O, P, Q, R, S and T sit around a circular table facing inside but not necessarily in the same order as given.

One person sits between M and N. Two persons sit between N and S. P and N are not immediate neighbours to each other. T sits second to the left of P. T neither sits opposite to M nor N. Q does not sit adjacent to S. O sits third to the left of R.

**Q84. Four of the following five are similar in a certain manner and related to a group, which of the following is dissimilar to others?**

- (a) O-Q
- (b) R-T
- (c) S-P
- (d) M-N
- (e) O-T

**Q85. What is the position of M with respect to R?**

- (a) Immediate right
- (b) Second to the left
- (c) Fourth to the left
- (d) Immediate left
- (e) Second to the right

**Q86. Who among the following sits opposite to O?**

- (a) S
- (b) T
- (c) P
- (d) M
- (e) N

**Q87. Which of the following statement is correct?**

- (a) R sits opposite to M
- (b) Two persons sit between O and P
- (c) P sits adjacent to M and R
- (d) No one sits between Q and T
- (e) Three persons sit between N and Q

**Q88. What is the position of O with respect to the one who sits third to the right of P?**

- (a) Fifth to the right
- (b) Immediate right
- (c) Second to the left
- (d) Third to the left
- (e) Second to the right

**Directions (89-91):** In each of the questions below, some statements are given followed by two conclusions. You have to take the given statements to be true even if they seem to be at variance with commonly known facts. Read all the conclusions and then decide which of the given conclusions logically follow from the given statements disregarding commonly known facts.

**Q89. Statement:**

Some Rupee are Note.  
All Note are Bank.  
Some Bank is Currency.

**Conclusions:**

- I. No Note is Currency.
  - II. Some Ruppe is Currency
- (a) If only conclusion I follows
  - (b) If only conclusion II follows
  - (c) If either conclusion I or II follows
  - (d) If neither conclusion I nor II follows
  - (e) If both conclusion I and II follow

**Q90. Statement:**

All Birds are Species.  
Only a few Birds are Parrots.  
No Species is Animal.

**Conclusions:**

- I. Some Species can never be Parrots.
  - II. Some Birds are not Animal.
- (a) If only conclusion I follows
  - (b) If only conclusion II follows
  - (c) If either conclusion I or II follows
  - (d) If neither conclusion I nor II follows
  - (e) If both conclusion I and II follow

**Q91. Statement:**

All Oil are Chemical.  
Only a few Carbon is Chemical.  
All Carbon is Diamond.

**Conclusions:**

- I. Some Diamond being Oil is a possibility.
- II. All Diamond can be Chemical.
- (a) If only conclusion I follows
- (b) If only conclusion II follows
- (c) If either conclusion I or II follows
- (d) If neither conclusion I nor II follows
- (e) If both conclusion I and II follow

**Directions (92-94): Read the given information carefully and answer the questions based on it:**

Point A is 5m west of point B which is 7m north of point C. Point D is 13m south of point E. Point F is 5m east of point E. Point H is 7m west of point G. Point G is 5m north of point F. Point C is 5m west of point D.

**Q92. What is the direction of point G with respect to Point A?**

- (a) East
- (b) North-east
- (c) South
- (d) West
- (e) North-west

**Q93. Four of the following five are similar in a certain way and form a group, which of the following does not belong to the group?**

- (a) G-F
- (b) A-B
- (c) C-D
- (d) E-F
- (e) B-C

**Q94. What is the total distance from Point A to Point G?**

- (a) 35m
- (b) 33m
- (c) 45m
- (d) 40m
- (e) 42m

**Directions (95-99): Read the given information carefully and answer the questions based on it:**

Eight persons P, Q, R, S, T, U, V and W sit in a row facing north but not necessarily in the same order as given.

Three persons sit between Q and T. V sits just right of T who sits third from an end. One person sits between V and P. U neither sits adjacent to Q nor at any end of the row. The number of persons sit to the left of S is same as the number of persons sit between U and R. Even number of persons sit between R and W. R does not sit at any extreme end.

**Q95. What is the position of W with respect to P?**

- (a) Third to the right
- (b) Immediate left
- (c) Second to the right
- (d) Fourth to the left
- (e) Fourth to the right

**Q96. Four of the following five are similar in a certain manner and belong to a group, who among the following does not belong to the group?**

- (a) U
- (b) W
- (c) Q
- (d) T
- (e) V

**Q97. Which of the following statement is true?**

- I. W sits at the left end of the row
- II. S and Q are immediate neighbours of each other
- III. Three persons sit to the left of U

- (a) Only II
- (b) Only I
- (c) Only II and III
- (d) Only I and II
- (e) Only III

**Q98. What is the position of S with respect to R?**

- (a) Fourth to the right
- (b) Second to the left
- (c) Third to the right
- (d) Fifth to the left
- (e) Immediate right

**Q99. How many persons sit between U and V?**

- (a) None
- (b) Three
- (c) One
- (d) Two
- (e) Four

**Q100. A word-based series is given with a blank in it. Read the series carefully and find which of the following element is suitable for the blank in series?**

**CDB HIG MNL \_\_\_ WXV**

- (a) RST
- (b) QRS
- (c) RSQ
- (d) QST
- (e) SRQ

## Solutions

**S1. Ans.(b)**

**Sol.** The passage specifically mentions, "His community had long crafted bamboo products, valued for their quality but limited in variety, primarily traditional items like baskets and mats." This line clearly indicates that the main limitation before Alok's intervention was the lack of variety and innovation in the bamboo products, not the cost, quality of bamboo, production efficiency, or availability of raw materials.

**S2. Ans.(c)**

**Sol.** The passage states, "He combined the village's age-old craftsmanship with his newly acquired knowledge, creating bamboo products... unlike anything his village had seen before." This validates option (c) as correct, indicating that Alok's products were a blend of modern and traditional styles. Options (a), (b), (d), and (e) are incorrect because the passage does not support these statements; it specifically mentions the innovative and wide appeal of Alok's products, their material, and the quality maintained.

**S3. Ans.(c)**

**Sol.** The passage describes Alok's products as, "combining the village's age-old craftsmanship with his newly acquired knowledge, creating bamboo products... unlike anything his village had seen before." This indicates that the unique aspect was the blend of traditional craftsmanship with a modern design twist, not cost, market exclusivity, different materials, or mass production focus.

**S4. Ans.(a)**

**Sol.** The passage mentions, "The launch of Alok's new line was a triumph... Orders flowed in, not just from locals but from far beyond the village borders." This clearly shows the launch was a significant success with wide appeal, contradicting the notions of local resistance, moderate success, business relocation, or commercial failure but artistic respect.

**S5. Ans.(d)**

**Sol.** As per the passage, "The village... now buzzed with innovation and creativity," and "This success brought prosperity and transformation." These lines confirm that the village was known for more than just traditional bamboo products, validating that option (d) is incorrect. Options (a), (b), (c), and (e) are correct because they align with the narrative in the passage about the village transforming into a centre for innovation, attracting tourists, providing employment, and impacting the village as a whole.



**S6. Ans.(e)**

**Sol.** The correct option is "Triumph".

Failure: Lack of success.

Challenge: A task or situation that tests someone's abilities.

Triumph: A great victory or achievement.

Mystery: Something that is difficult or impossible to understand or explain.

Routine: A sequence of actions regularly followed.

**S7. Ans.(a)**

**Sol.** The word "shaping" is the correct option.

"Moulding refers to the process of shaping or forming a material, often by using a mold or other techniques to create a specific design or structure."

Shaping: The act of forming something into a particular shape.

Breaking: The act of separating into pieces or the act of failing or stopping.

Ignoring: Refusing to take notice of or acknowledge something.

Reducing: Making something smaller or less in amount, degree, or size.

Copying: Making a similar or identical version of something.

**S8. Ans.(c)**

**Sol.** The correct option is "bend".

Meanings:

Rotate: To turn or cause to turn around an axis or center.

Straighten: Make or become straight.

Bend: Shape or force (something straight) into a curve or angle.

Preserve: Maintain (something) in its original or existing state.

Simplify: Make something less complex or complicated.

**S9. Ans.(a)**

**Sol.** The correct option is "DCABE".

Thus, the correct sentence formed will be "Researchers said the drop in the carbon dioxide levels relative to the neighbouring planets implied a possible absorption of the gas by an ocean or isolation by biomass on a planetary scale."

**S10. Ans.(c)**

**Sol.** The correct option is "CDEBA".

Thus, the correct sentence formed will be "Saraswati, the Hindu Goddess of learning, is always portrayed with a veena on her lap, symbolising the instrument's unique significance in the hearts of music enthusiasts throughout the country, particularly in the realm of Carnatic music."

**S11. Ans.(e)**

**Sol.** The correct option is "No rearrangement required".

**S12. Ans.(b)**

**Sol.** The correct option is “A-E”.

Thus, the correct sentence formed will be “Urgent action is needed to curb greenhouse gas emissions and address the impacts of climate change on ecosystems and societies.”

**S13. Ans.(c)**

**Sol.** The correct option is “B-D”.

Thus, the correct sentence formed will be “Biotechnology breakthroughs in genetic engineering, personalized medicine, and sustainable agriculture offer transformative solutions to global challenges.”

**S14. Ans.(d)**

**Sol.** The correct option is “C-F”.

Thus, the correct sentence formed will be “The evolution of e-commerce continues to reshape retail, and innovative approaches to meet evolving consumer preferences.”

**S15. Ans.(b)**

**Sol.** The correct option is “A-D”.

Thus, the correct sentence formed will be “The dynamics of the team changed significantly when the new manager introduced innovative collaboration strategies.”

**S16. Ans.(a)**

**Sol.** The correct option is “undergone”.

This word is the correct choice as it fits well in the context, indicating that office outfits have experienced a noticeable transformation.

(a) undergone: Experienced or undergone a change, transformation, or development.

(b) brighten: To make or become brighter; to illuminate or improve.

(c) deepen: To become or make something deeper, more intense, or more profound.

(d) wane: To decrease gradually in size, strength, or intensity; to decline.

(e) strive: To make great efforts, to struggle or work hard towards a goal.

**S17. Ans.(c)**

**Sol.** The correct option is “versatile”.

This word describes a style that is adaptable and can serve various purposes, making it suitable for the passage discussing a shift to more relaxed and flexible office attire.

(a) fragile: Easily broken or delicate; lacking in strength or durability.

(b) gentle: Mild, kind, or tender in temperament or behaviour.

(c) versatile: Capable of adapting or being adapted to various functions or activities.

(d) noble: Having high moral qualities; showing greatness of character.

(e) fertile: Capable of producing offspring, seeds, or creative ideas abundantly.

**S18. Ans.(e)**

**Sol.** The correct option is “influenced”.

The word "influenced" indicates a change or impact, aligning with the context of remote work experiences causing a shift in office outfits

- (a) bored: Feeling uninterested or weary due to lack of interest or stimulation.
- (b) terrified: Extremely frightened or scared.
- (c) excited: Feeling enthusiastic, eager, or aroused with anticipation.
- (d) amused: Entertained, finding something funny or enjoyable.
- (e) influenced: Having an impact or effect on something; being affected by external factors.

**S19. Ans.(b)**

**Sol.** The correct option is “emphasis”.

The phrase "The emphasis on video conferencing" suggests a heightened focus on certain aspects, supporting the idea that the increased use of video conferencing has influenced office attire.

- (a) resistance: the refusal to accept or comply with something.
- (b) emphasis: Special importance, significance, or prominence given to something.
- (c) analysis: Examination or detailed investigation of something by breaking it down into its components.
- (d) crisis: A time of intense difficulty or danger; a crucial turning point.
- (e) synthesis: The combination of different ideas, elements, or concepts to form a coherent whole.

**S20. Ans.(d)**

**Sol.** The correct option is “reflects”.

In the context of the evolving office attire, the word "reflects" is appropriate, conveying that the changes in office outfits are indicative of a balance between comfort, functionality, and a professional aesthetic.

- (a) Depends: Relies on or is determined by another factor.
- (b) Terminates: Brings to an end or concludes.
- (c) Suspends: Temporarily stops or delays.
- (d) Reflects: Shows a representation of or gives evidence for.
- (e) Fluctuates: Varies or changes levels, often irregularly.

**S21. Ans.(a)**

**Sol.** The error in the sentence is in: part A

The error is in the verb form in part A. The correct form of the verb for the plural subject "people" is "believe," not "believes."

Therefore, the correct sentence should be: "Many people **believe** that technological advancements can solve most of our problems."

**S22. Ans.(b)**

**Sol.** The error in the sentence is in: part B

The error lies in the verb agreement in part B. The phrase "one of those writers who" should be followed by a plural verb, "have," not the singular "has."

Therefore, the correct sentence should be: "She is one of those writers who **have** won numerous awards for her work."

**S23. Ans.(b)**

**Sol.** The error in the sentence is in: (b) B

The error lies in the verb agreement in part B. When using "either...or," the verb should agree with the nearest subject. "His assistants" is plural, so "needs" should be "need."

Therefore, the correct sentence should be: "Either the manager or his assistants need to be present to sign off the documents."

**S24. Ans.(b)**

**Sol.** The error in the sentence is in: (b) B

The error is in the verb tense in part B. The verb "claps" should be in the past tense to match the rest of the sentence, so it should be "clapped."

Therefore, the correct sentence should be: "The audience was enthusiastic and clapped loudly after the performance ended."

**S25. Ans.(a)**

**Sol.** The error in the sentence is in: (a) A

The error is in the use of the pronoun "Me" in part A. The correct pronoun usage in the subject position should be "My brother and I."

Therefore, the correct sentence should be: "My brother and I are planning to start a new business venture together next year."

**S26. Ans.(a)**

**Sol.** The erroneous word in the sentence is: wonder

The correct word should be "wander," which means to walk or move leisurely or aimlessly. "Wonder," on the other hand, means to think or speculate curiously, which does not fit the context of the sentence.

The other words – "enjoying," "timeless," and "architecture" – are correctly spelled and appropriately used in the context of the sentence.

**S27. Ans.(b)**

**Sol.** The erroneous word in the sentence is: audiance

The correct spelling should be "audience," which refers to the assembled spectators or listeners.

The other words – "extraordinary," "sleight," and "illusionary" – are correctly spelled and appropriately used in the context of the sentence.

**S28. Ans.(b)**

**Sol.** The erroneous words in the sentence are: techonology

The correct spellings should be "technology".

Therefore, the correct sentence should be: "The **company's** latest **technology** breakthrough promises to **revolutionize** the industry, providing solutions that were previously **unimaginable**."

The words "company's", "unimaginable" and "revolutionize" are correctly spelled and appropriately used in the context of the sentence.

**S29. Ans.(b)**

**Sol.** The erroneous word in the sentence is: altar

The correct word should be "alter," which means to change or modify something. "Altar" is a religious table or structure.

Therefore, the correct sentence should be: "She **decided** to **alter** her dress to make it fit **better** for the upcoming **wedding**."

The other words – "decided," "better," and "wedding" – are correctly spelled and appropriately used in the context of the sentence.

**S30. Ans.(b)**

**Sol.** The erroneous word in the sentence is: complement

The correct word should be "compliment," which means a polite expression of praise or admiration. "Complement" refers to something that completes or goes well with something.

Therefore, the correct sentence should be: "During the **meeting**, the manager gave John a **compliment** on his **excellent** presentation **skills**."

The other words – "meeting," "excellent," and "skills" – are correctly spelled and appropriately used in the context of the sentence.

**S31. Ans.(d)**

**Sol.**

Total number of banquet halls registered by company A =  $240 \times \frac{5}{4} = 300$

Required average =  $\frac{300+120}{2} = 210$

**S32. Ans.(b)**

**Sol.**

Total halls registered by Y for marriage event =  $240 \times \frac{4}{15} = 64$

Total halls registered by Y for birthday party =  $(240 - 64) \times \frac{15}{22} = 120$

Total halls registered by Y for office party =  $240 - (64+120) = 56$

Total halls registered by X for office party =  $64 + 16 = 80$

Total halls registered by X for marriage event =  $(180 - 80) \times \frac{7}{10} = 70$

Required difference =  $70 - 56 = 14$

**S33. Ans.(e)**

**Sol.**

Required percentage =  $\frac{(180+120)-160}{(180+120)} \times 100$

=  $\frac{140}{300} \times 100 = 46.66 \approx 47\%$

**S34. Ans.(c)**

**Sol.**

Total number of banquet halls registered by P =  $\frac{11}{8} \times 160 = 220$

Required ratio =  $120 : 220 = 6 : 11$

**S35. Ans.(e)**

**Sol.** Required difference =  $(180 + 240) - 160 = 260$

**S36. Ans.(e)**

**Sol.** Pattern of series –

$$11 + 37 = 48$$

$$48 + 41 = 89$$

$$89 + 43 = 132$$

$$? = 132 + 47 = \mathbf{179}$$

$$179 + 53 = 232$$

**S37. Ans.(a)**

**Sol.**

Pattern of series –

$$? = \mathbf{8} + (17 \times 1) = 25$$

$$25 + (17 \times 2) = 59$$

$$59 + (17 \times 3) = 110$$

$$110 + (17 \times 4) = 178$$

$$178 + ((17 \times 5) = 263$$

**S38. Ans.(c)**

**Sol.**

Pattern of series –

$$24 \times 2 + 1 = 49$$

$$49 \times 2 + 1 = 99$$

$$? = 99 \times 2 + 1 = \mathbf{199}$$

$$199 \times 2 + 1 = 399$$

$$399 \times 2 + 1 = 799$$

**S39. Ans.(d)**

**Sol.**

Pattern of series –

220,	236,	264,	304,	356,	? = 420
+16	+28	+40	+52	+64	
+12	+12	+12	+12		

**S40. Ans.(b)**

**Sol.**

Pattern of series -

$$? = 241 + (1^2 + 1) = 243$$

$$243 + (2^2 + 1) = 248$$

$$248 + (3^2 + 1) = 258$$

$$258 + (4^2 + 1) = 275$$

$$275 + (5^2 + 1) = 301$$

**S41. Ans.(a)**

**Sol.**

Let the length of the rectangle is  $5x$

Breadth of the rectangle is  $7x$

Now the radius of the circle =  $\frac{1}{2} \times 7x = 3.5x$

$$\text{ATQ, } 2(5x + 7x) - \frac{22}{7} \times 3.5x - 2 \times 3.5x = 12$$

$$24x - 11x - 7x = 12$$

$$6x = 12$$

$$x = 2$$

$$\text{Area of the rectangle} = 35 \times 4 = 140 \text{ cm}^2$$

**S42. Ans.(c)**

**Sol.**

Profit share ratio of P and Q =  $25000 \times 12 : X \times (12 - 5) = 300000 : 7X$

$$\text{ATQ, } \frac{300000}{7X} = \frac{15000}{(25500 - 15000)}$$

$$\frac{300000}{7X} = \frac{15000}{10500}$$

$$20 \times 1500 = X$$

$$X = 30000$$

**S43. Ans.(d)**

**Sol.**

Let the efficiency of B be  $5x$  units/day

Efficiency of A =  $\frac{6}{5} \times 5x = 6x$  units/day

Efficiency of C =  $\frac{3}{2} \times 6x = 9x$  units/day

Ratio of the efficiency of A, B and C =  $6 : 5 : 9$

Ratio of time taken =  $\frac{6}{90} : \frac{5}{90} : \frac{9}{90} = 15 : 18 : 10$

Let time taken by A and C alone to complete the work be  $15a$  &  $10a$  respectively

$$\text{ATQ, } 15a - 10a = 20$$

$$5a = 20$$

$$a = 4$$

Total work = LCM of (60, 72, 40) = 360 units

Required days =  $\frac{360}{20} = 18 \text{ days}$

**S44. Ans.(b)**

**Sol.**

Let the cost price of the article be Rs. Z

Let the marked price be 100A

Selling price when 25% discount is given =  $100A \times \frac{3}{4} = 75A$

Selling price when 30% discount is given =  $100A \times \frac{7}{10} = 70A$

ATQ,  $75A - Z = 70$  ----- (i)

$70A - Z = 50$  ----- (ii)

From (i) and (ii) we get

$$5A = 20$$

$$A = 4$$

Marked price of the article = Rs. 400

**S45. Ans.(a)**

**Sol.**

Let initial quantity of the mixture be 7x liters

$$\text{ATQ, } \frac{(7x \times \frac{3}{7} - 21 \times \frac{3}{7})}{(7x \times \frac{4}{7} - 21 \times \frac{4}{7} + 6)} = \frac{1}{2}$$

$$(3x - 9) \times 2 = 4x - 12 + 6$$

$$6x - 18 = 4x - 6$$

$$2x = 12$$

$$x = 6$$

Initial quantity of the mixture =  $7 \times 6 = 42$  liters

**S46. Ans.(b)**

**Sol.**

Let the amount invested be Rs. A

Cumulative interest =  $(20 + 20 + 20 \times \frac{20}{100})\% = 44\%$

$$\text{ATQ, } \frac{44}{100} \times A - 10 \times \frac{2}{100} \times A = 960$$

$$\frac{24A}{100} = 960$$

$$A = \text{Rs. } 4000$$

**S47. Ans.(e)**

**Sol.**

Let the length of the train be x meters

$$\text{ATQ, } \frac{x}{10} = \frac{x+900}{30}$$

$$3x - x = 900$$

$$2x = 900$$

$$x = 450 \text{ meters}$$



**S48. Ans.(c)**

**Sol.**

Let the age of A and B five years ago be  $2x$  and  $3x$  respectively

ATQ,

$$\frac{2x+17}{3x+17} = \frac{27}{32}$$

$$64x + 544 = 81x + 459$$

$$85 = 17x$$

$$x = 5$$

$$\text{Required sum} = 2x + 3x + 10 + 4 = 10 + 15 + 14 = 39 \text{ years}$$

**S49. Ans.(d)**

**Sol.**

Let the downstream speed and upstream speed of the boat be  $10x$  and  $3x$  respectively

$$\text{ATQ, } 10x = \frac{240}{12}$$

$$x = 2$$

$$\text{Speed of the boat in still water} = \frac{10x+3x}{2} = 6.5x = 13 \text{ km/hr}$$

$$\text{Required distance} = 13 \times 5 = 65 \text{ km}$$

**S50. Ans.(e)**

**Sol.**

$$\text{Total of 20 number} = 20 \times 50 = 1000$$

$$X = 21 \times 52 - 1000 = 92$$

$$\text{So, } 2X = 184$$

**S51. Ans.(b)**

**Sol.**

$$2744 + \frac{4}{5} \times 320 + \frac{?}{100} \times 500 = 3100$$

$$\frac{?}{100} \times 500 = 3100 - 3000$$

$$\frac{?}{100} \times 500 = 100$$

$$? = 20$$

**S52. Ans.(d)**

**Sol.**

$$\frac{1084}{5} + \frac{851}{15} - ? = 240$$

$$\frac{4103}{15} - ? = 240$$

$$? = \frac{4103 - 3600}{15}$$

$$? = 33 \frac{8}{15}$$

S53. Ans.(a)

Sol.

$$\frac{15 \times 540}{100} - \frac{1}{2^3} \times 2^6 = ? - \frac{210}{27} \times 81$$
$$81 - 2^{6-3} = ? - 630$$
$$? = 703$$

S54. Ans.(a)

Sol.

$$\frac{10}{100} \times 650 + 32 \times \frac{2800}{400} - ? = 155$$
$$65 + 224 - ? = 155$$
$$? = 134$$

S55. Ans.(b)

Sol.

$$? = \frac{136 - 96 + 61}{36 + 45 + 121}$$
$$? = \frac{101}{202} = 0.5$$

S56. Ans.(c)

Sol.

$$? \times 1.4 \times 8.4 = 6.3 \times 5.6 - 4.2^2$$
$$? = \frac{6.3 \times 5.6 - 4.2 \times 4.2}{1.4 \times 8.4}$$
$$? = 3 - 1.5 = 1.5$$

S57. Ans.(b)

Sol.

$$\frac{275.1}{3} + 84.3 - ? = 169$$
$$(91.7 + 84.3) - 169 = ?$$
$$? = 7$$

S58. Ans.(b)

Sol.  $166.8 + 272.3 - ? = 169 + 20$

$$? = 439.1 - 189$$

$$? = 250.1$$

S59. Ans.(a)

Sol.

$$2^? = 2^{2 \times 2} \times 2^4 \div 2^{3 \times 2} \times 2^5$$

$$? = 4 + 4 - 6 + 5$$

$$? = 7$$

S60. Ans.(a)

Sol.

$$\frac{160}{100} \times 45 + \frac{?}{100} \times 50 = \frac{12.5}{100} \times 720$$

$$\frac{?}{2} = 90 - 72$$

$$? = 36$$

S61. Ans.(e)

Sol.

$$(6 - 4 + 3) + \left[ \frac{2}{5} - \frac{3}{4} + \frac{1}{2} \right] = ? \div 5$$

$$5 + \left[ \frac{8 - 15 + 10}{20} \right] = ? \div 5$$

$$5 \frac{3}{20} = ? \div 5$$

$$? = \frac{103}{4} = 25 \frac{3}{4}$$

S62. Ans.(b)

Sol.

$$32 \div 16 + 484 = ?$$

$$2 + 484 = ?$$

$$? = 486$$

S63. Ans.(a)

Sol.

$$\frac{204}{12} \times 17 = ? + 81$$

$$289 = ? + 81$$

$$? = 208$$

S64. Ans.(e)

Sol.

$$1600 \div 25 = ?^2$$

$$64 = ?^2$$

$$? = +8, -8$$

S65. Ans.(d)

Sol.

$$120 \div 8 = ? \times 3$$

$$15 = ? \times 3$$

$$? = 5$$

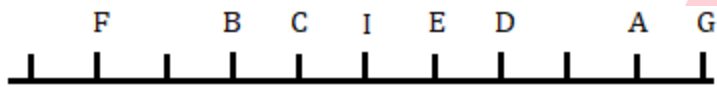
S66. Ans.(d)

S67. Ans.(b)

S68. Ans.(a)

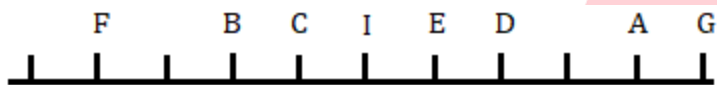
S69. Ans.(c)

Sol.



S70. Ans.(d)

Sol.



S71. Ans.(d)

Sol.



S72. Ans.(d)

S73. Ans.(a)

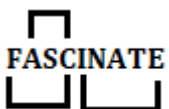
S74. Ans.(b)

S75. Ans.(e)

S76. Ans.(d)

S77. Ans.(d)

Sol.



S78. Ans.(a)

Sol.

Month	Date	Person
January	5	G
	20	D
April	5	B
	20	E
May	5	H
	20	A
September	5	F
	20	C

S79. Ans.(c)

Sol.

Month	Date	Person
January	5	G
	20	D
April	5	B
	20	E
May	5	H
	20	A
September	5	F
	20	C

S80. Ans.(c)

Sol.

Month	Date	Person
January	5	G
	20	D
April	5	B
	20	E
May	5	H
	20	A
September	5	F
	20	C

S81. Ans.(e)

Sol.

Month	Date	Person
January	5	G
	20	D
April	5	B
	20	E
May	5	H
	20	A
September	5	F
	20	C

S82. Ans.(b)

Sol.

Month	Date	Person
January	5	G
	20	D
April	5	B
	20	E
May	5	H
	20	A
September	5	F
	20	C

S83. Ans.(c)

Sol.

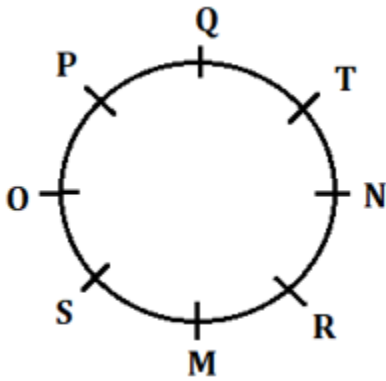
8493213479

7584324568

$5+5 = 10$

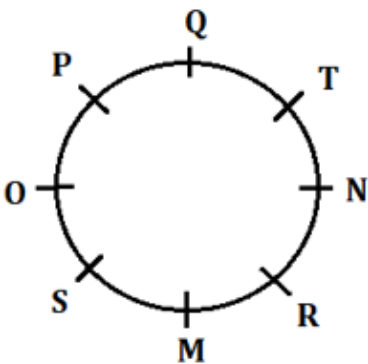
S84. Ans.(e)

Sol.



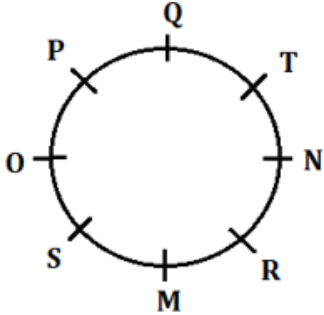
S85. Ans.(d)

Sol.



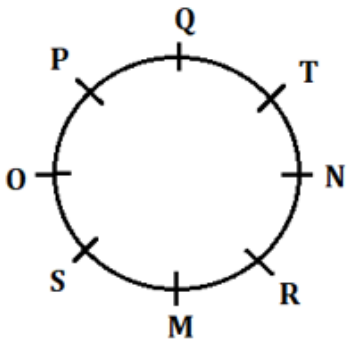
S86. Ans.(e)

Sol.



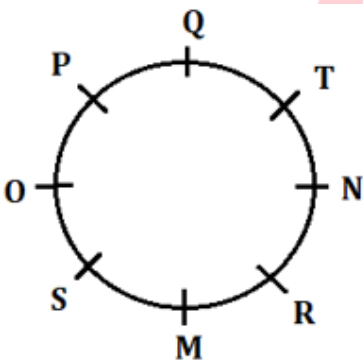
S87. Ans.(d)

Sol.



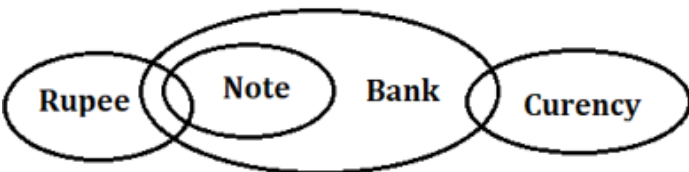
S88. Ans.(c)

Sol.



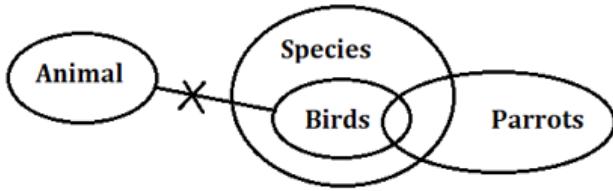
S89. Ans.(d)

Sol.



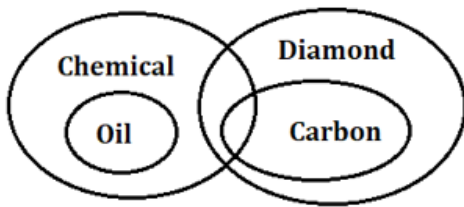
S90. Ans.(e)

Sol.



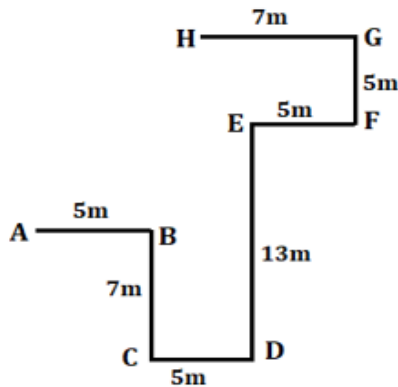
S91. Ans.(a)

Sol.



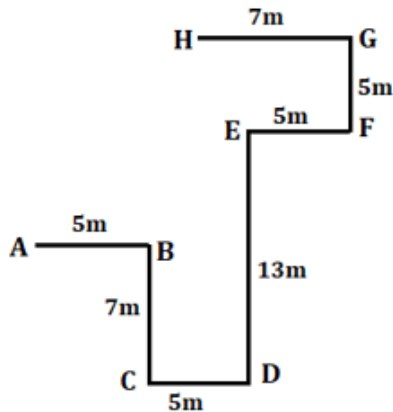
S92. Ans.(b)

Sol.



S93. Ans.(e)

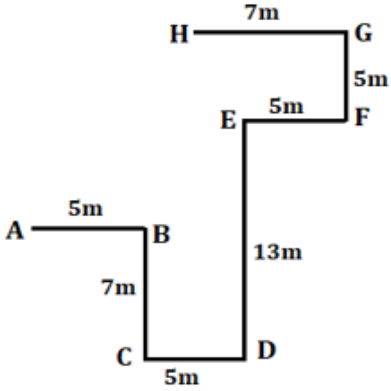
Sol.





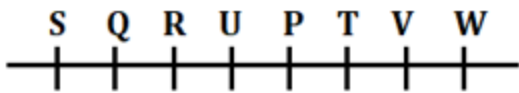
S94. Ans.(d)

Sol.



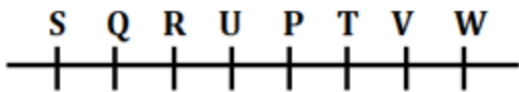
S95. Ans.(a)

Sol.



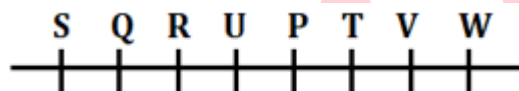
S96. Ans.(b)

Sol.



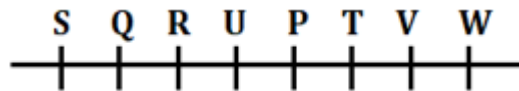
S97. Ans.(c)

Sol.



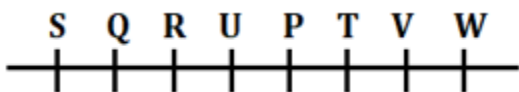
S98. Ans.(b)

Sol.



S99. Ans.(d)

Sol.



S100. Ans.(c)